



STARBUCKS COFFEE

SANTA CLARA & THIRD, SAN JOSE CA



superior
electrical advertising

1700 West Anaheim Street
Long Beach, California
90813-1195
phone: 562.495.3808
facsimile: 562.435.1867

www.superiorsigns.com

Project:
**STARBUCKS COFFEE
E. SANTA CLARA &
THIRD**
Address:
**101 E. Santa Clara St.
San Jose, CA 95112**

Account Manager:
DAVE COBERLY

Designer:
J. Josol 3.00

Scale:
AS NOTED

Design No.:
07-05-8543-00

Date:
05/04/07

Reg. No.:

Revisions:

Page: Of:
01 13

This is an original unpublished drawing created by Superior Electrical Advertising. It is submitted for your approval. It is not to be shown to anyone outside of your organization, nor is it to be reproduced, copied or exhibited in any fashion. The changing of colors, sizes, materials or illumination method does not alter the design. Ownership of this design is held by Superior Electrical Advertising, Inc. Authorization to use this design in any fashion must be obtained in writing from Superior Electrical Advertising, Inc.

© SEA 2007

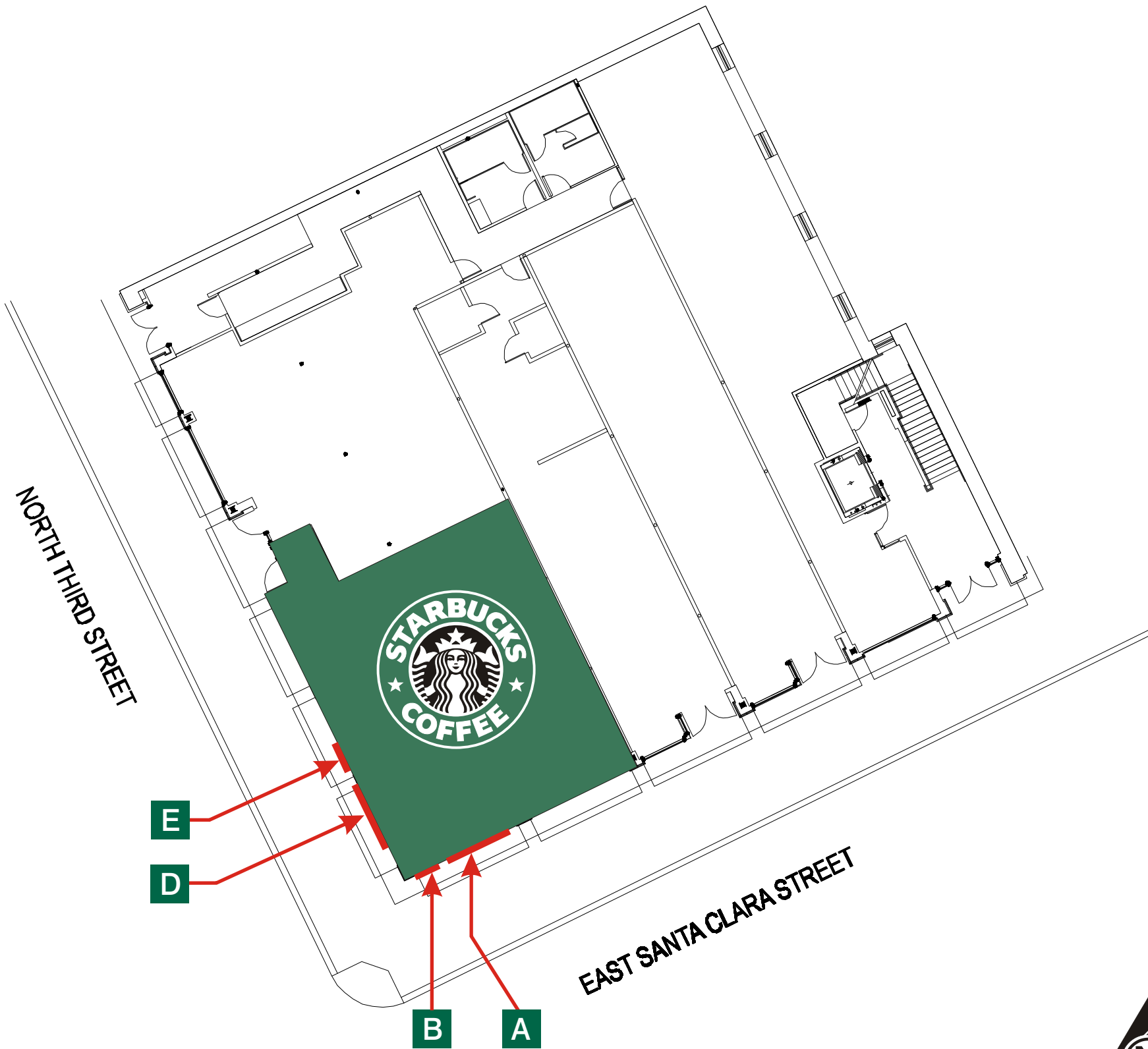
Note: The Colors depicted here are a graphic representation. Actual colors may vary. See color specifications.



1 VICINITY MAP
NOT TO SCALE



2 LOCATION MAP
NOT TO SCALE



1 SITE PLAN
NOT TO SCALE

CONTENTS

DESCRIPTION	PAGE #
Site Plan	2
SOUTH BUILDING ELEVATION FACING EAST SANTA CLARA ST.	3
WEST BUILDING ELEVATION FACING NORTH 3RD CLARA ST.	4
Sign A&D Details (S431) Single Line 14" Green Face Illuminated Channel Letters Mounted On A Raceway	5
Sign B&E Details 36" Illuminated Double Sided Logo Disk	6



superior
electrical advertising

1700 West Anaheim Street
Long Beach, California
90813-1195
phone: 562.495.3808
facsimile: 562.435.1867

www.superiorsigns.com

Project:
**STARBUCKS COFFEE
E. SANTA CLARA &
THIRD**
Address:
**101 E. Santa Clara St.
San Jose, CA 95112**

Account Manager:
(D) DAVE COBERLY

Designer:
J. Josol 3.00

Scale:
AS NOTED

Design No.:
07-05-8543-00

Date:
05/04/07

Reg. No.:

Revisions:

Page: **02** Of: **13**

This is an original unpublished drawing created by Superior Electrical Advertising. It is submitted for your approval. It is not to be shown to anyone outside of your organization, nor is it to be reproduced, copied or exhibited in any fashion. The changing of colors, sizes, materials or illumination method does not alter the design. Ownership of this design is held by Superior Electrical Advertising, Inc. Authorization to use this design in any fashion must be obtained in writing from Superior Electrical Advertising, Inc.

© SEA 2007

Note: The Colors depicted here are a graphic representation. Actual colors may vary. See color specifications.

NOTE: VERIFY ALL CONDITIONS AND MEASUREMENTS PRIOR TO FABRICATION



superior
electrical advertising

1700 West Anaheim Street
Long Beach, California
90813-1195
phone: 562.495.3808
facsimile: 562.435.1867

www.superiorsigns.com

Project:
STARBUCKS COFFEE
E. SANTA CLARA & THIRD
Address:
101 E. Santa Clara St.
San Jose, CA 95112

Account Manager:
(D) DAVE COBERLY

Designer:
J. Josol 3.00

Scale:
AS NOTED

Design No.:
07-05-8543-00

Date:
05/04/07

Reg. No.:

Revisions:



1 SOUTH ELEVATION (FACING EAST SANTA CLARA ST.) SCALE: 1/8" = 1'

- A** ONE SINGLE LINE 14" GREEN FACE ILLUMINATED CHANNEL LETTERS MOUNTED ON A RACEWAY 18.81 SQ.FT.
- B** ONE 36" ILLUMINATED DOUBLE SIDED LOGO DISK 7.07 SQ.FT.

Page: **03** Of: **13**

This is an original unpublished drawing created by Superior Electrical Advertising. It is submitted for your approval. It is not to be shown to anyone outside of your organization, nor is it to be reproduced, copied or exhibited in any fashion. The changing of colors, sizes, materials or illumination method does not alter the design. Ownership of this design is held by Superior Electrical Advertising, Inc. Authorization to use this design in any fashion must be obtained in writing from Superior Electrical Advertising, Inc.

© SEA 2007
Note: The Colors depicted here are a graphic representation. Actual colors may vary. See color specifications.

NOTE: VERIFY ALL CONDITIONS AND MEASUREMENTS PRIOR TO FABRICATION



1700 West Anaheim Street
 Long Beach, California
 90813-1195
 phone: 562.495.3808
 facsimile: 562.435.1867

www.superiorsigns.com

Project:
STARBUCKS COFFEE
E. SANTA CLARA & THIRD
 Address:
101 E. Santa Clara St.
San Jose, CA 95112

Account Manager:
(D) DAVE COBERLY

Designer:
J. Josol 3.00

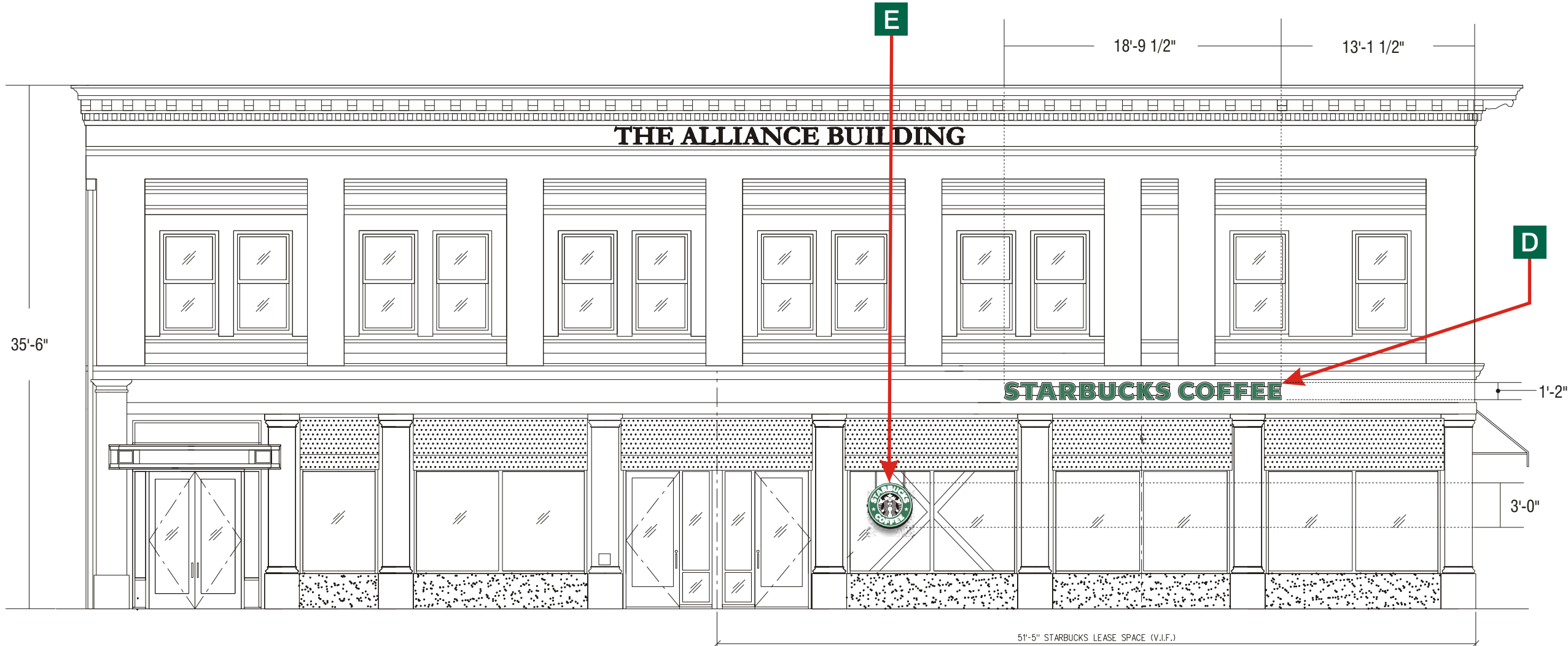
Scale:
AS NOTED

Design No.:
07-05-8543-00

Date:
05/04/07

Reg. No.:

Revisions:



1

WEST ELEVATION (FACING NORTH 3RD CLARA ST.)

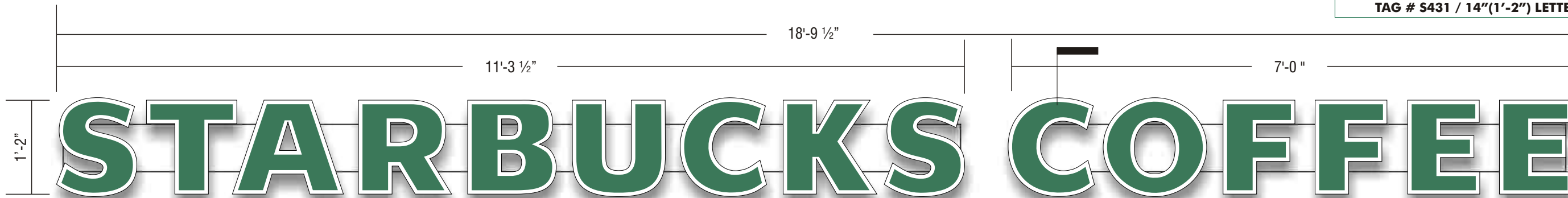
SCALE: 1/8" = 1'

- D** ONE SINGLE LINE 14" GREEN FACE ILLUMINATED CHANNEL LETTERS MOUNTED ON A RACEWAY 18.81 SQ.FT.
- E** ONE 36" ILLUMINATED DOUBLE SIDED LOGO DISK 7.07 SQ.FT.

Page: **04** Of: **13**

This is an original unpublished drawing created by Superior Electrical Advertising. It is submitted for your approval. It is not to be shown to anyone outside of your organization, nor is it to be reproduced, copied or exhibited in any fashion. The changing of colors, sizes, materials or illumination method does not alter the design. Ownership of this design is held by Superior Electrical Advertising, Inc. Authorization to use this design in any fashion must be obtained in writing from Superior Electrical Advertising, Inc.

© SEA 2007
 Note: The Colors depicted here are a graphic representation. Actual colors may vary. See color specifications.



1700 West Anaheim Street
Long Beach, California
90813-1195
phone: 562.495.3808
facsimile: 562.435.1867

www.superiorsigns.com

Project:
STARBUCKS COFFEE
E. SANTA CLARA & THIRD
Address:
101 E. Santa Clara St.
San Jose, CA 95112

Account Manager:
(D) DAVE COBERLY

Designer:
J. Josol 3.00

Scale:
AS NOTED

Design No.:
07-05-8543-00

Date:
05/04/07

Reg. No.:

Revisions:

Page: **05** Of: **13**

This is an original unpublished drawing created by Superior Electrical Advertising. It is submitted for your approval. It is not to be shown to anyone outside of your organization, nor is it to be reproduced, copied or exhibited in any fashion. The changing of colors, sizes, materials or illumination method does not alter the design. Ownership of this design is held by Superior Electrical Advertising, Inc. Authorization to use this design in any fashion must be obtained in writing from Superior Electrical Advertising, Inc.

© SEA 2007

Note: The Colors depicted here are a graphic representation. Actual colors may vary. See color specifications.

A D 14" SINGLE LINE GREEN FACE LIT / INTERNALLY ILLUMINATED EXTERIOR CHANNEL LETTERS ON RACEWAYS

QUANTITY: TWO (2) SETS REQUIRED

SCALE: 3/4" = 1'-0"

SPECIFICATIONS:

- A** INTERNALLY ILLUMINATED CHANNEL LETTERS TO BE FABRICATED FROM 0.040 / 3003 ALUMINUM WITH PRE PAINTED WHITE INTERIORS AND PAINTED SATIN FINISH BLACK POLYURETHANE EXTERIORS, 5"(127MM) DEEP. LETTERS BACKS TO BE ALUMINUM POP-RIVETED TO SIDEWALLS AND SEALED.
- B** FACES TO BE 3/16"(5MM) WHITE ACRYLIC WITH 1"(25MM) BLACK TRIMCAP RETAINER EDGING. IF GREEN FACES ARE REQUIRED, CENTER OF FACES TO BE 1ST SURFACE 3M SCOTCHCAL #3630-76 HOLLY GREEN VINYL WITH WHITE SHOW THRU SCRATCH BORDERS.
- C** INTERNALLY ILLUMINATE LETTERS WITH DOUBLE-TUBE OF 15mm #6500 WHITE NEON GLASS. POWER WITH 30 M.A., 120V TRANSFORMERS. TRANSFORMERS TO BE LOCATED WITHIN REMOTE METAL TRANSFORMER BOX(ES) MOUNTED REMOTELY BEHIND WALL
- D** TRANSFORMER BOX(ES) TO BE INSTALLED IN RACEWAYS: 7"(H) x 7"(W) EXPOSED WATERPROOF RACEWAYS PAINTED TO MATCH BUILDING
- E** RACEWAYS MOUNTED WITH 1/4" X 3" LAG SCREWS OR EQUAL AS REQUIRED TOP AND BOTTOM EVERY 4'-0" O.C.

SIGN MUST BE APPROVED BY THE NATIONAL ELECTRICAL CODE, UNDERWRITERS LABORATORY, CUL, AND ALL APPLICABLE LOCAL CODES.

Tag	Size	Sq.Ft. ¹	Sq.M. ¹	Sq.Ft. ²	Sq.M. ²	Volts	Amps
S431	14" (356mm)	21.8	2.03	18.81	1.75	120	8

1 : Figured as one rectangular area
2 : Figured as individual letter areas

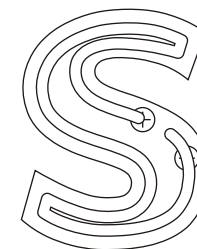
Note to All Contractors

120V Sign Voltage

In the utilization of GFI transformers, and in accordance with NEC and UL guidelines, it is required that primary circuits to each sign must have:
1. Dedicated circuits with proper ground from main panel - and must be bonded.
a. ANY equipment or lighting that is added/shared to the primary sign circuit will cause GFI transformers to trip "OFF".
b. Neutral to ground should not exceed 3 volts to prevent GFI from tripping.

Not adhering to these specifications will cause electrical outages resulting in costly service calls.

This sign is intended to be installed in accordance with the requirements of Article 600 of the National Electrical Code and/or other applicable local codes. This includes proper grounding and bonding of the sign.



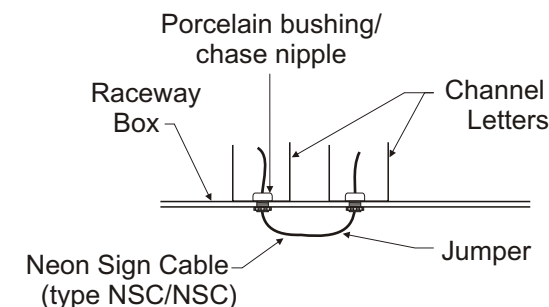
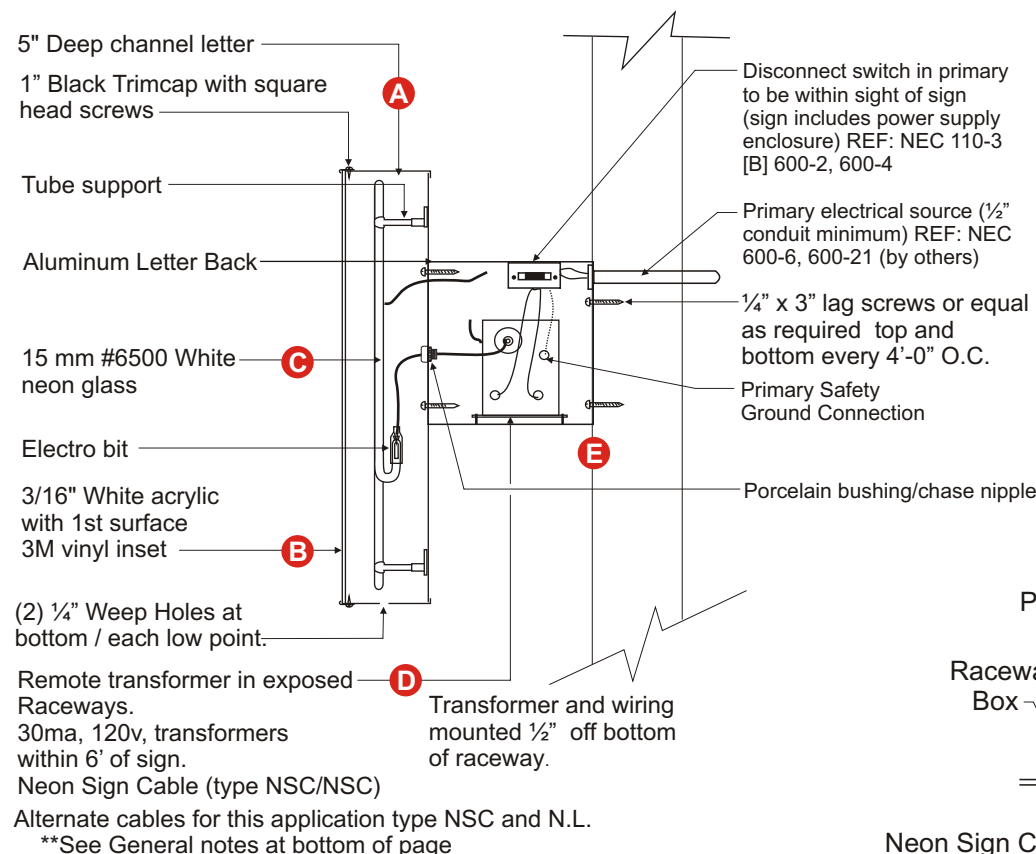
Double Tube Neon Detail - NTS



Exposed white border

Ltr.Ht.	Border
14"(356mm)	15/32"(12mm)

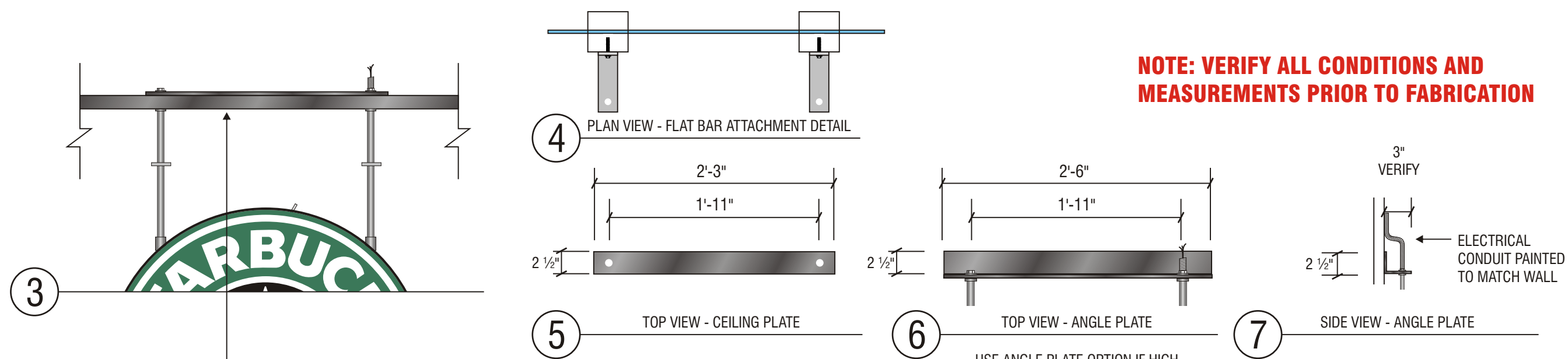
IMPORTANT NOTE: NEVER ADD AN INLAY TO THE LETTERS
Always use the green letter Wordmark version with the proper inlay already set. To produce white letters, delete green inlay.



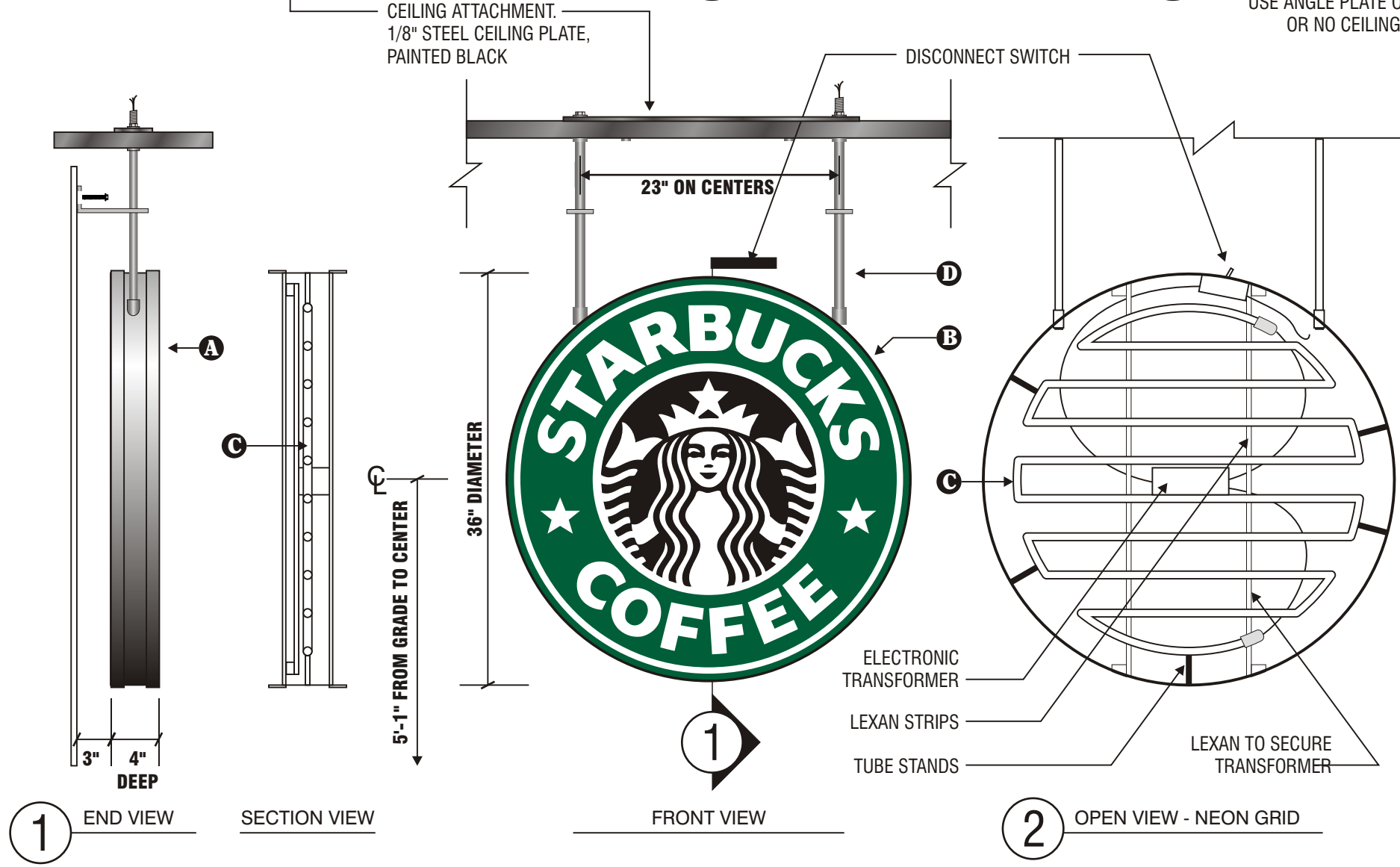
1 Letter - Section View Scale n.t.s.

** General notes:

Type NSC/NGL Sign Cable - Use UL Listed Liquid-Tight Flexible Cord Connector identified for use with a cord of .390 to .560 inch diameter as marked on the connector or the smallest unit shipping carton. Secure the N.L. end of the cable with the connector. For dry locations, a non-liquid tight UL Listed Flexible Cord Connector may be used.



NOTE: VERIFY ALL CONDITIONS AND MEASUREMENTS PRIOR TO FABRICATION



DOUBLE FACE SUSPENDED ILLUMINATED WINDOW LOGO DISK SPECIFICATIONS:

- A** DOUBLE FACE INTERNALLY ILLUMINATED SUSPENDED WINDOW LOGO DISK. LOGO DISK CABINET TO BE 4" DEEP, FABRICATED FROM .063" ALUMINUM, PAINTED TO MATCH SATIN FINISH BLACK POLYURETHANE.
- B** FACES TO BE 3/16" WHITE ACRYLIC. 1" BLACK TRIMCAP WITH SQUARE HEAD SCREWS RETAINER EDGING. GRAPHICS OF LOGO TO BE 1ST SURFACE 3M TRANSLUCENT SCOTCHCAL VINYL. COPY TO SHOW THRU WHITE OF HOLLY GREEN #3630-76 BACKGROUND. LOGO TO SHOW THRU WHITE OF BLACK #230-22 BACKGROUND.
- C** INTERNALLY ILLUMINATE LOGO DISK WITH BRILITE #4500 H.O. EGL WHITE, 30MA, NEON GLASS GRID. POWER WITH 120V TRANSFORMER COVERED IN WHITE VINYL FILM. GLASS HOUSINGS TO BE E-BIT. PRIMARY WIRE TO RUN THRU 1/2" RIGID CONDUIT TO CEILING.
- D** CEILING PLATE TO BE 1/8" STEEL, PAINTED BLACK. SUSPEND LOGO FROM CEILING WITH 1/2" RIGID CONDUIT, PAINTED BLACK. LENGTH OF CONDUIT FROM CEILING TO VARY PER LOCATION. CENTER OF LOGO ABOVE GRADE TO BE 5'-1".

CENTER LOGO LEFT TO RIGHT WITHIN WINDOW. TRIM AROUND CONDUIT AT CEILING WITH BLACK ACRYLIC BEAUTY RINGS.

DISCONNECT SWITCH IN PRIMARY TO BE WITHIN SIGHT OF SIGN. (SIGN INCLUDES POWER SUPPLY ENCLOSURE) REF: NEC 110-3[B] 600-2, 600-4

PRIMARY ELECTRICAL SOURCE (1/2" CONDUIT MINIMU). REF: NEC 600-6, 600-21

7.07 TOTAL SQ. FT.
DE SIGN ELEVATION / INTERNALLY ILLUMINATED DOUBLE FACE WINDOW LOGO DISK
QUANTITY: TWO (2) UNITS REQUIRED

SCALE: 1" = 1'-0"

This sign is intended to be installed in accordance with the requirements of Article 600 of the National Electrical Code and/or other applicable local codes. This includes proper grounding and bonding of the sign.



1700 West Anaheim Street
 Long Beach, California
 90813-1195
 phone: 562.495.3808
 facsimile: 562.435.1867

www.superiorsigns.com

Project:
STARBUCKS COFFEE
E. SANTA CLARA & THIRD
 Address:
101 E. Santa Clara St.
San Jose, CA 95112

Account Manager:
(D) DAVE COBERLY

Designer:
J. Josol 3.00

Scale:
AS NOTED

Design No.:
07-05-8543-00

Date:
05/04/07

Reg. No.:

Revisions:

Page: **06** Of: **13**

This is an original unpublished drawing created by Superior Electrical Advertising. It is submitted for your approval. It is not to be shown to anyone outside of your organization, nor is it to be reproduced, copied or exhibited in any fashion. The changing of colors, sizes, materials or illumination method does not alter the design. Ownership of this design is held by Superior Electrical Advertising, Inc. Authorization to use this design in any fashion must be obtained in writing from Superior Electrical Advertising, Inc.

© SEA 2007
 Note: The Colors depicted here are a graphic representation. Actual colors may vary. See color specifications.